



FOR LEASE | QUONSET BUILDING AND YARD AREA



335 36 Avenue NE

AVAILABLE: Immediately

Calgary, Alberta

Standalone Quonset building with fenced yard space.

Municipal Address

335 36 Avenue NE
Calgary, Alberta

Legal Description

Plan 5942AD, Block 15 Lot 33-44

Zoning

I-R Industrial - Redevelopment

Area

4,773 sq. ft.—Quonset building
~0.6 acres—lot

Operating Costs

\$4.36 / sq. ft. (CAM & Tax)

Loading & Access

At Grade 20'2"W x 14'5"H

Building Dimensions

95' 1" x 48' 9"
29.0m x 14.9m

Lot Dimensions

115' 3" x 229' 1"
35.12m x 69.82m

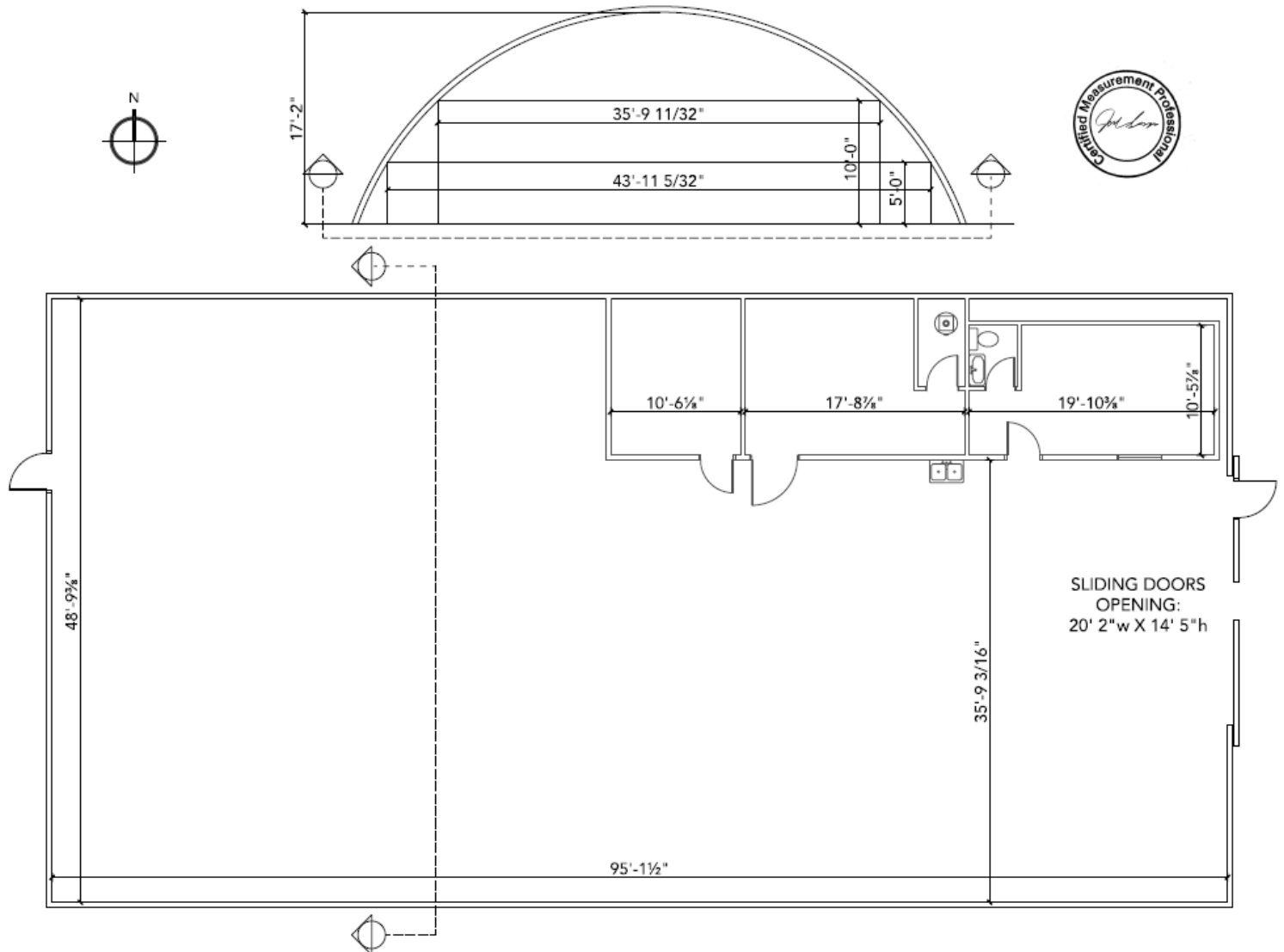
The information contained herein may change and the property removed from the market at any time without prior notice. It has been obtained from sources believed to be correct but does not form part of any present or future contract.



335 36 Avenue NE

Calgary, Alberta

AVAILABLE: Immediately



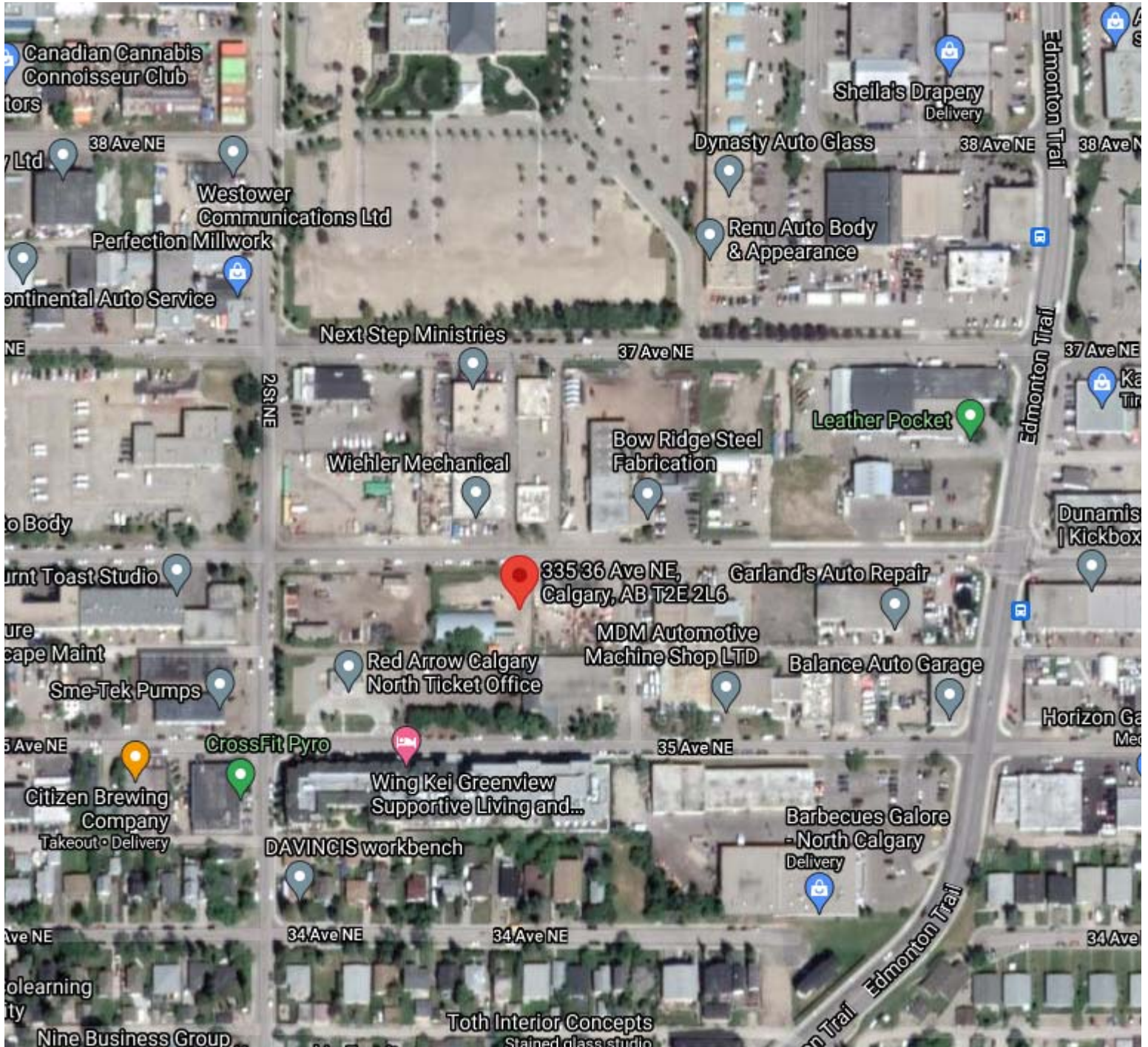
The information contained herein may change and the property removed from the market at any time without prior notice. It has been obtained from sources believed to be correct but does not form part of any present or future contract.



335 36 Avenue NE

AVAILABLE: Immediately

Calgary, Alberta



The information contained herein may change and the property removed from the market at any time without prior notice. It has been obtained from sources believed to be correct but does not form part of any present or future contract.



335 36 Avenue NE

AVAILABLE: Immediately

Calgary, Alberta



The information contained herein may change and the property removed from the market at any time without prior notice. It has been obtained from sources believed to be correct but does not form part of any present or future contract.